

BRISTAN

Design Utility Lever Range

Installation Instructions & User Guide



Please keep these instructions for future reference and request of replacement parts

BRISTAN

Thank you for choosing Bristan, the UK's leading taps and showers expert. We have designed these products with your enjoyment in mind. To ensure that they work to their full potential, they need to be fitted correctly. These fitting instructions have been created to give you all of the information you need and, if you need any further help, please do not hesitate to give us a call on 0844 701 6273.

Safety Note

Please read these instruction thoroughly and retain for future use.

All products manufactured and supplied by Bristan are safe provided they are installed correctly, used correctly and receive regular maintenance in accordance with these instructions.

These fittings need to be installed in accordance with and meet the requirements of the Water Supply (Water Fittings) Regulations 1999 and Scottish Byelaws 2004.



Before starting any installation please consider the following:

Prior to drilling into walls, check that there are no hidden electrical wires, cables or water supply pipes. This can be checked with the aid of an electronic detector.

If power tools are used do not forget to:

- Wear eye protection
- Unplug equipment after use

General Specifications

Operating pressure range (bar)	Min.	Max.
Basin & Bath Taps	0.2	8.0
Single Lever Basin Mixer	0.2	8.0
Bath Filler	0.2	8.0
Bath Shower Mixer (To bath fill)	0.3	8.0
Maximum static pressure – 10.0 bar		

If the bath shower mixer is installed at low pressure (tank fed), then the minimum height from showerhead to the underside of the cold tank should be at least 1 metre to ensure adequate shower performance.

These products should be installed in compliance with Water Regulations. For further details contact your Local Water Authority.

NOTE:- Nominally equal (balanced) inlet supply pressures are recommended for optimum performance.

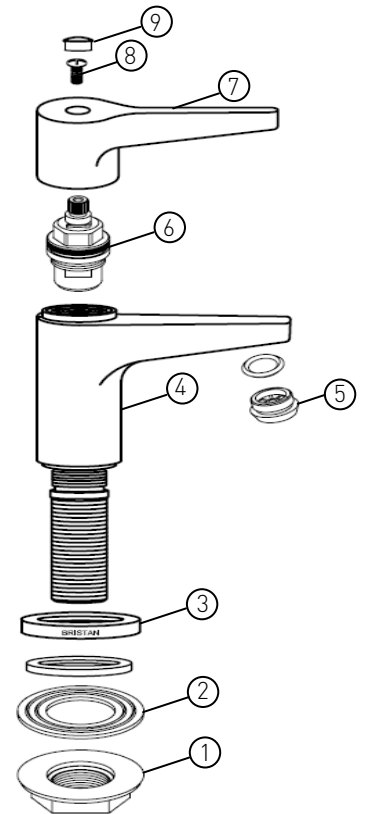
Designed to comply with BS EN 200 for single taps/ combination taps for water systems of type 1 and 2 general technical specifications and to be used within systems designed to BS 6700. BS 6700 recommends the temperature of stored water should never exceed 65°C. A stored water temperature of 60°C is considered sufficient to meet all nominal requirements and will minimise the build up of lime scale in hard water areas.

Installation - Basin & Bath Taps

1. Identify all components prior to installation.
2. Install the taps (4) to the basin/bath ensuring that the plinth (3) is fitted between the bottom of the tap body (4) and the work surface. The backnut (1) and backnut washer (2) are used under the basin/bath to secure the tap to the surface of the basin/bath.
3. Connect both hot and cold water supplies to the taps.
4. Turn on both water supplies. Fully open both taps letting the water flow for a few minutes to check all connection for any leaks.

Components

1. Backnut	(x2)
2. Backnut Washer	(x2)
3. Plinth	(x2)
4. Body	(x2)
5. Anti-Splash	(x2)
6. Valve	(x2)
7. Handle	(x2)
8. Handle Screw	(x2)
9. Indice	(x2)

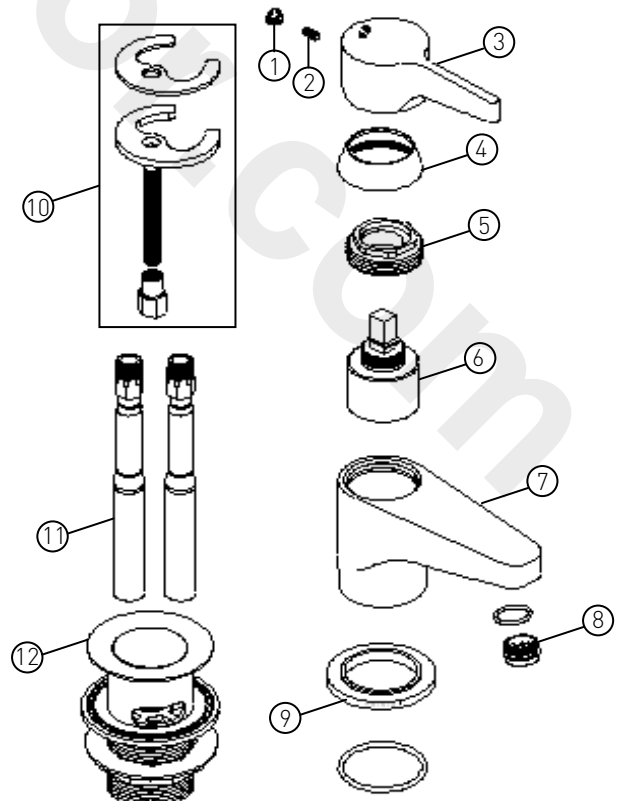


Installation - Single Lever Basin Mixer

1. Identify all components prior to installation
2. Install the mixer (7) to the basin. Secure the mixer to the surface of the basin using the fixing kit (10).
3. Screw in the connecting copper pipes (11) to the base of the mixer, **tighten by hand only** and connect both the hot and cold water supplies.
4. Fit the waste (12) with the flat washer below and the shaped washer above the basin. It is advised that a silicon sealant is applied to both sealing faces of the washers.
5. Turn on both water supplies. Lift and turn the handle both ways for a few minutes letting the water flow to check all connections for any leaks.

Components

1. Indice	(x1)
2. Handle Screw	(x1)
3. Handle	(x1)
4. Shroud	(x1)
5. Retaining Nut	(x1)
6. Cartridge	(x1)
7. Body	(x1)
8. Anti Splash	(x1)
9. Plinth	(x1)
10. Fixing Kit	(x1)
11. Connecting Pipes	(x2)
12. Waste	(x1)

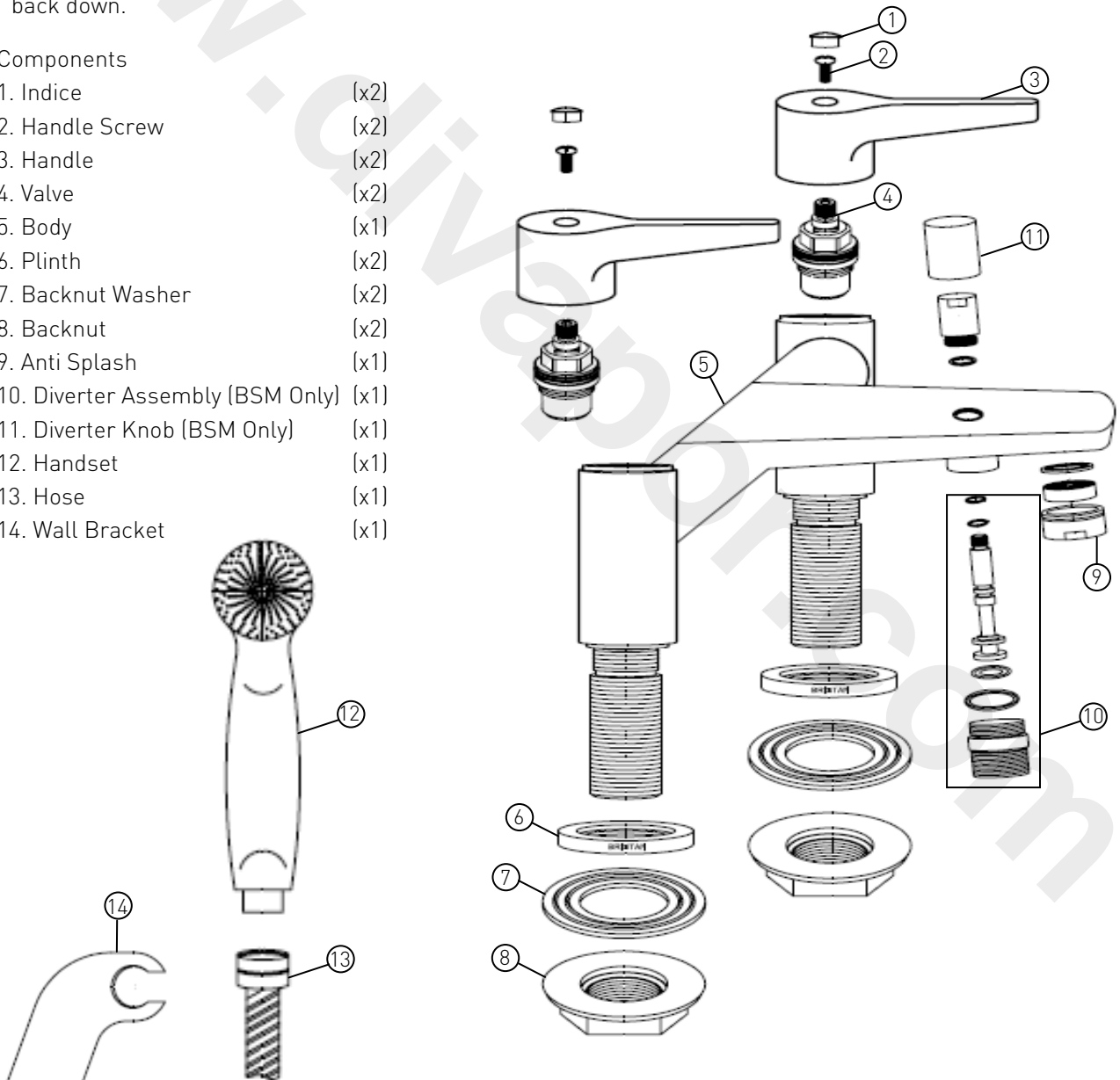


Installation – Bath Filler / Bath Shower Mixer

1. Identify all components prior to installation.
2. Install the mixer body (5) to the bath using the backnuts (8) and backnut washers (7) provided under the bath.
3. Fit the hose (13) to the mixer (5) underneath the spout (**for bath shower mixer only**).
4. Fix the wall bracket to the wall ensuring that the handset and hose will reach it (**for bath shower mixer only**).
5. Connect both the hot and cold water supplies to the mixer and turn the supplies on.
6. Fully open the valves (4) by turning the handles (3), letting the water flow for a few minutes to check all connections for any leaks.
7. For bath shower mixer only – operate the mixer in both bath fill and shower mode. To switch from bath fill to shower mode, pull the diverter knob (11) up. To revert back to bath fill mode push the diverter knob (11) back down.

Components

1. Indice	(x2)
2. Handle Screw	(x2)
3. Handle	(x2)
4. Valve	(x2)
5. Body	(x1)
6. Plinth	(x2)
7. Backnut Washer	(x2)
8. Backnut	(x2)
9. Anti Splash	(x1)
10. Diverter Assembly (BSM Only)	(x1)
11. Diverter Knob (BSM Only)	(x1)
12. Handset	(x1)
13. Hose	(x1)
14. Wall Bracket	(x1)



Cleaning

Your fitting has a high quality finish and should be treated with care to preserve the visible surfaces.

All finishes will wear if not cleaned correctly. The only safe way to clean your product is to wipe with a soft damp cloth. Stains can be removed using washing up liquid. All bathroom cleaning products (powders and liquids) will damage the surface of your fitting, even the non-scratch cleaners.

NOTE:- Never use abrasive detergents or disinfectants or those containing alcohol, hydrochloric or phosphoric acid.

Maintenance

We advise that your fitting is regularly serviced, particularly in hard water areas.

If any of the fittings begin to drip:

1. Turn off both water supplies.
2. Prise out the indice cap, remove screw and handle by pulling from the valve. For the single lever mixer, remove cap, screw and then the handle. Unscrew shroud and retaining nut.
3. Remove valve or cartridge.
4. Carefully clean seating, rubber washer and ceramic disc.

NOTE:- There are locating pins in the bottom of the cartridge that fit into holes inside the tap body to ensure it is fitted correctly.

5. Replace all of the above and turn on the water supplies.
6. If problem persists contact our help line quoting the product code

Bristan recommend E-Cloth for cleaning all of our bathroom & kitchen products. Using just water, E-cloth gives a smear free, deep clean by breaking up and holding dirt, which normal cloths leave behind. Order through your Bristan stockist.

(ORDER CODE: ECLOTH)



Bristan Guarantee

Bristan offers solid guarantees to provide you with complete peace of mind.

Taps and Mixers

5 year parts and 1 year labour*. Gold painted and special finishes 3 years parts only.

All subject to proof of purchase.

Mixer Shower Valves

5 year parts. 5 year labour* (subject to registration), or 1 year with proof of purchase.

Gold painted and special finishes 3 years parts only.

Pumps and Power Showers

2 year parts. 1 year labour* (subject to registration).

Electric Showers/Instantaneous Water Heaters

2 year parts. 1 year labour* (subject to registration).

Accessories

5 year parts only. Includes bathrooms accessories, shower accessories (e.g. hoses, handsets and poles), wastes, WC levers and light pulls. Gold painted and special finishes 3 years parts only.

Sanitaryware

5 year parts only. Subject to proof of purchase.

Shower Enclosures and Shower Trays

10 year parts (subject to registration), or 2 years with proof of purchase. 1 year labour* (subject to registration), or 1 year with proof of purchase.

Heated Towel Rails

5 year parts only. Gold painted and special finishes 3 years parts only. All subject to proof of purchase.

*Labour provided by an approved Bristan engineer. Guarantee only applies to products with a manufacturing fault. A deferred payment will be necessary in order to secure any visits by our engineers which will be charged if the problem is found **not** to be a manufacturing fault. If the fault is found to be down to a manufacturing error, the payment will be released and not charged.

This guarantee applies to products purchased within the United Kingdom or Republic of Ireland, but does not apply to products used commercially.

The guarantee is only available to original purchasers who have proof of purchase.

The installation must allow ready access to all products for the purpose of inspection, maintenance or replacement.

Any part found to be defective during the above guarantee period will be replaced without charge, providing that the product has been installed in accordance with the instructions, used as intended, and regularly serviced.

Servicing should be carried out at regular intervals of no more than 12 months and more frequently in hard water areas (heavy lime scale) areas.

In the unlikely event that any problems are encountered with the product's performance on installation, you must obtain guidance/authorisation from our Customer Service Department, and be able to supply proof and date of purchase, before any remedial action is taken.

The guarantee excludes general wear and tear and damage caused by accident, misuse or neglect, and does not cover the following:

- Components that are subject to general wear and tear such as filters, seals, 'O' rings and washers etc.
- Damage caused by faulty installation
- Damage caused by lime scale or any waterborne debris
- Damage caused by inappropriate cleaning products (see user instructions)
- Damage caused by the use of non-Bristan parts
- The product being used for a purpose other than intended by the manufacturer.

In the interests of continuous product improvement Bristan reserves the right to alter specification as necessary.

If your product is out of its guarantee period, or you would like to extend the guarantee, then please see our [extended warranty offer](#). Please refer to the Bristan website



Guarantee



Guarantee



Guarantee



Guarantee



Guarantee

Notes

www.divapor.com

Please use this space to add any notes you or your installer may have regarding the plumbing system/installation of this product

BRISTAN

This booklet covers product codes

DUL ½ C / DUL ¾ C / DUL BF C / DUL BSM C / DUL BAS C

Helpline

0844 701 6273

Bristan Group Limited

Birch Coppice Business Park, Dordon, Tamworth, Staffordshire B78 1SG

A Masco Company

Website: www.bristan.com

Telephone: 0844 7016 274 Facsimile: 0844 701 6275

Email: enquire@bristan.com